

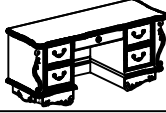



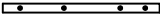
# ASSEMBLY INSTRUCTION FOR ACME FURNITURE

MODEL#28174/BD01676

MODEL#28193/BD01678

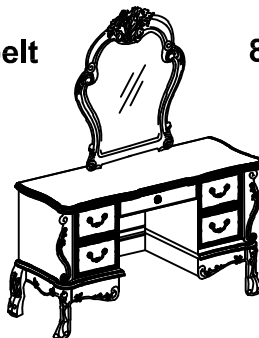
Thank you for purchasing the quality product. Be sure to check all packing material carefully for small parts which may have come loose inside the carton during shipment. Separate, identify and count all parts and metal hardware. Compare with all parts list to be sure all parts are present. If any part(s) are missing or damaged, please contact your local furniture dealer. For efficient and speedy service, please indicate the model number and code letter of part(s) needed.

\*\*\* Do not fully tighten screws until fully assembled \*\*\*

<b>COMPONENT PARTS</b>		
"NO"	DESCRIPTION	Q'TY(PCS)
①	Dresser 	1
②	Front legs 	2
③	Back legs 	2
④	Mirror 	1
⑤	Mirror Support 	2

## HARDWARE REQUIRED

(A)		Middle Bolt	Ø5/16"X2"	8	PCS
(B)		Middle Bolt	Ø5/16"X1-1/4"	8	PCS
(C)		Lock Washer	Ø5/16"X12mm	16	PCS
(D)		Flat Washer	Ø5/16"X19mm	16	PCS
(E)		Allen Wrench	5mm	1	PC
(F)		Fasten unit	44X20mm	4	PCS
(G)		Long Screw	Ø7mmX38mm	4	PCS
(H)		Short Screw	Ø6mmX16mm	4	PCS
(I)		Shrink bolt	Ø5/16"X1-1/2"	4	PCS
(J)		Safty belt	8mmX250mm	2	PC

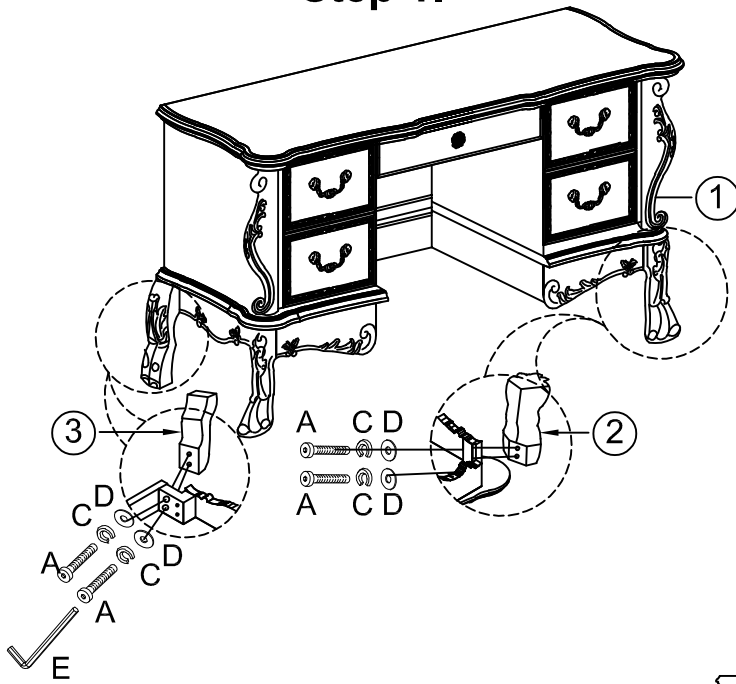


### Attention

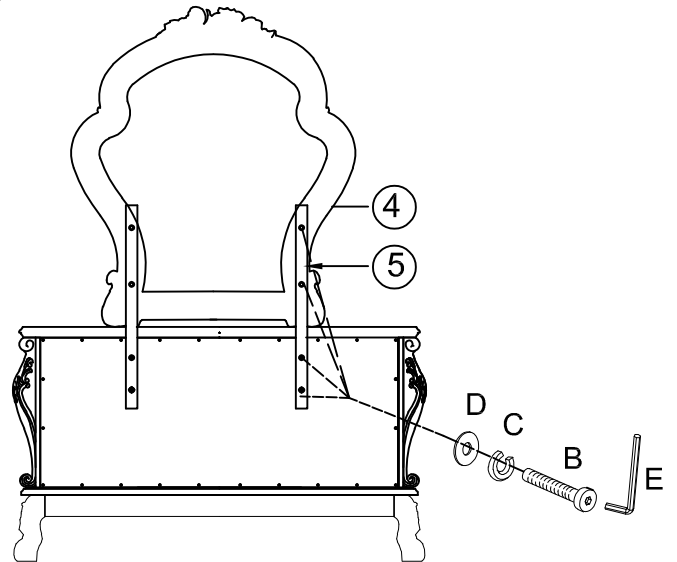
\*\*\* Some number parts listed on the instruction sheet may not be in parts bag as they may already be assembled. Carefully check parts and packing materials prior to ordering replacements.

# How to assemble:

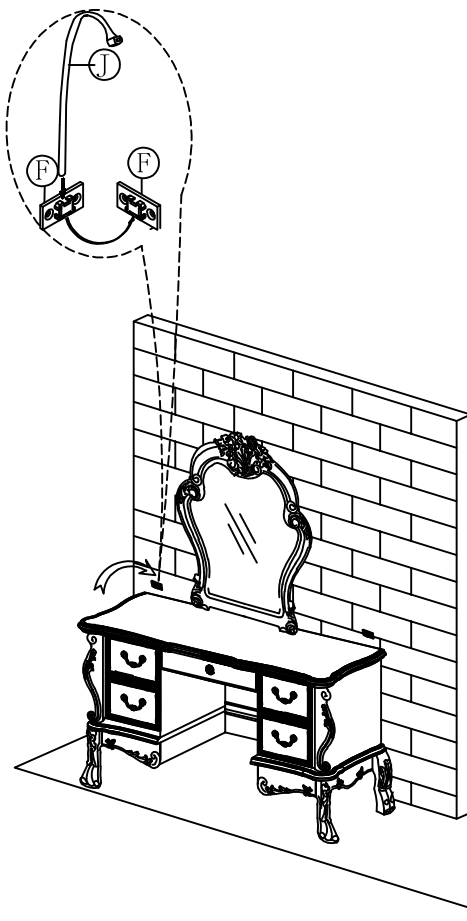
## Step 1:



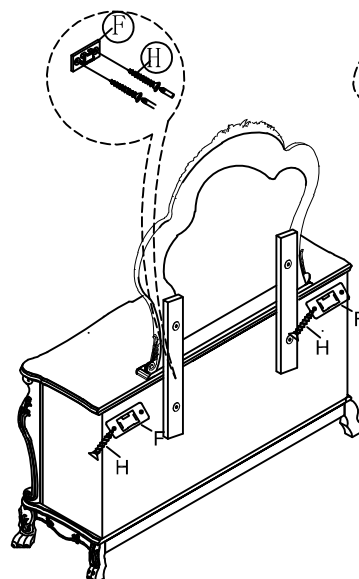
## Step 2:



## Step 5:



## Step 3:



## Step 4:

